



Floor Plan & Technical Info

+31 85 060 85 56

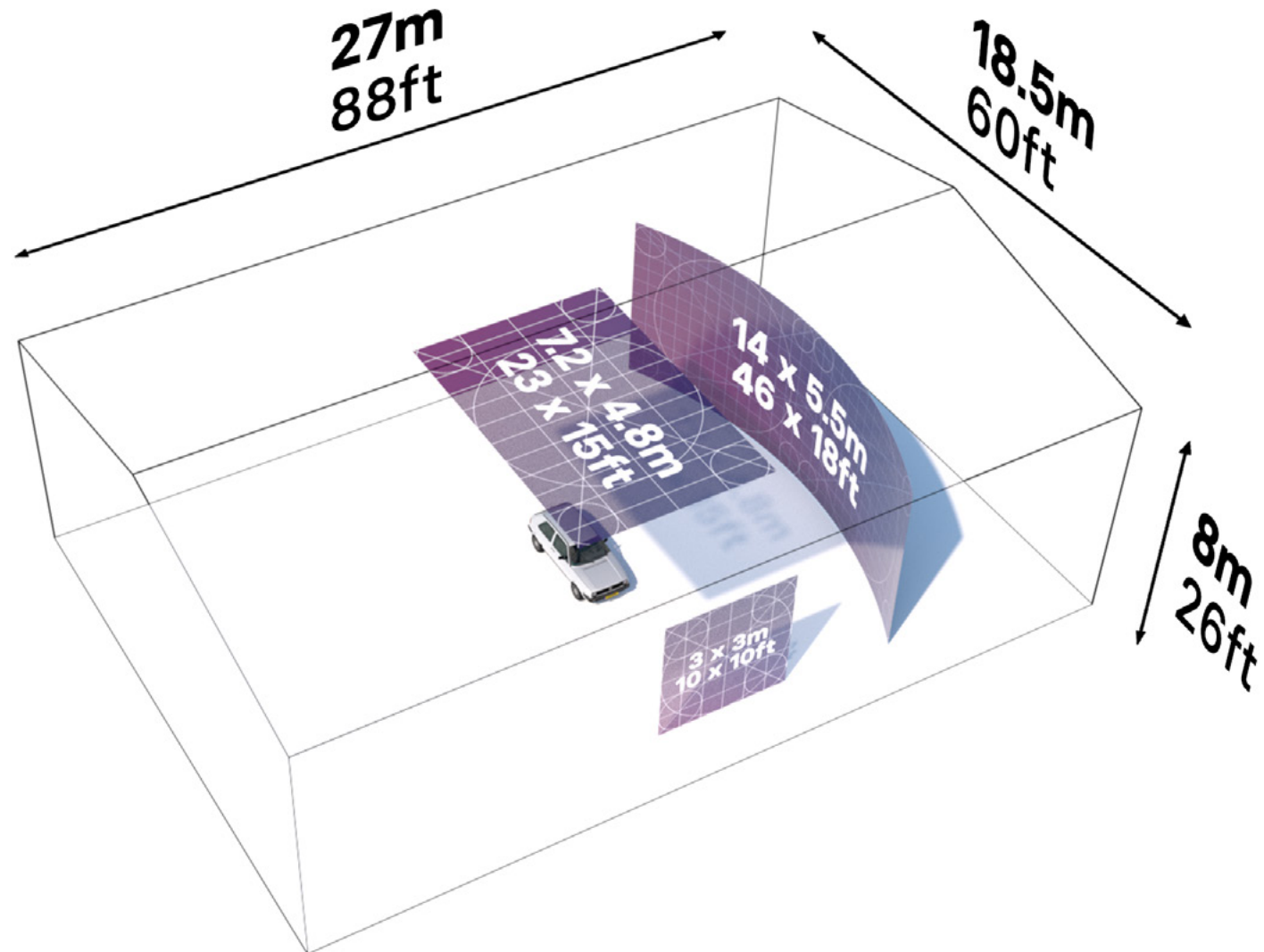
go@readyssetstudios.nl

Studio address

H.J.E. Wenckebachweg 175

1096 AM Amsterdam

The Netherlands





Floor Plan & Technical Info

+31 85 060 85 56

go@readyssetstudios.nl

Studio address

H.J.E. Wenckebachweg 175

1096 AM Amsterdam

The Netherlands

Technical details

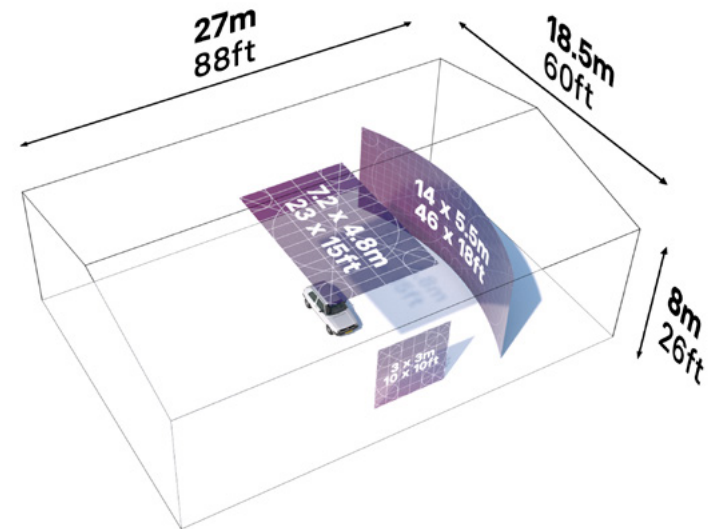
Floor

Worksurface	515m ² (5543ft ²)
Working height	8m (26ft)
Power supply	1 x 125 Ampère 1 x 63 Ampère

L.E.D. screens

L.E.D. curved screen	14 x 5.5m (46 x 18ft)
L.E.D. ceiling	7.2 x 4.8m (23 x 15ft) (height adjustable)
L.E.D. mobile/ movablescreen	3 x 3m (10 x 10 ft)

The L.E.D. curved screen is approx. 3.5m (11ft) from the back wall of the studio, allowing for placement of (back)light sources.





Floor Plan & Technical Info

+31 85 060 85 56

go@readyssetstudios.nl

Studio address

H.J.E. Wenckebachweg 175

1096 AM Amsterdam

The Netherlands

Services & facilities

Studio 3 at Amsterdam Studio's is a turn-key filmstudio.

Dressing rooms

2 x dressing room with daylight

1 x make-up room with 2 vanities

Production offices

1 with 2 x desks and chairs

Toilets

Ground floor: 2

First floor: 2

Plus 1 x separate shower

Kitchen

Studio 3 has its own kitchen and restaurant on the first floor with seating for approx. 45 pax.

Catering

Craft service vehicles (catering bus) outside in consultation.

Optional catering services through

Lunchidee +31 6 14 18 66 55

lunchidee@gmail.com